



### Features

- IEC 60601-1-8 compliant visual & sound alarm design: LED light bar & 2x5W speakers
- Front full flat IP65 cover & chassis with anti-microbial finish for strict disinfection requirements
- Socketed Intel® 12th Gen Alder Lake-PS Core™ i7/i5/i3 processor supported
- COM port reserved for reliable connection to vital sign device
- Rich USB ports for flexible peripheral device connection, USB type C incl.
- CE/FCC/Medical UL certified



Indicator For Alarms



User Friendly Design



Front IP65 Protection



Reliable COM Port Connection



Infection Control

### Specification

#### System Information

Processor	12th Generation Intel® Core™ i7/i5/i3 Processor
System Memory	1x 262-pin DDR5 4800MHz SO-DIMM socket, supports up to 32GB Max (Min 8GB)
I/O Chipset	IT5782VG
TPM	Onboard NuvoTon NPCT754AADYX support TPM 2.0

#### Expansion

Expansion	1x M.2 Key B 3042/3052/2280/2242 1x M.2 Key E for WIFI
-----------	---

#### Storage

M.2	1x M.2 Key M 2280 storage 1 x M.2 Key B 2242 for storage
-----	---

#### Display

LCD Size	15.6"
Display Type	Full HD
Resolution	1920 x 1080
Contrast Ratio	1000 : 1
Luminance	300 cd/m2
Pixel Pitch	0.17925 (H) x 0.17925 (V)
Viewing Angle	89 (U), 89 (D), 89 (L), 89 (R)
Response Time	25 ms
Backlight	LED
Touch Type	Projective capacitive multi-touch up to 10 points
Touch Light Transmission	85%
Touch Controller	USB touch (EETI)

#### I/O Ports

USB Port	1x USB 2.0 3x USB 3.2 1x USB type C (Output: USB 3.1, display, 5V/3A 15W)
LAN Port	2 x RJ-45
COM Port	1x RS-232/422/485

#### System Control

LED Indicator	2 x tri-color LED light bar
---------------	-----------------------------

#### Audio

Audio Codec	Realtek ALC888S
Speaker Output	2 x 5W

#### Ethernet

LAN Chipset	1x Intel® I225LM 1x Intel® I226LM
Ethernet Interface	10/100/1000/2500 Base-Tx GbE compatible

#### Wireless Communication

Bluetooth	Optional BT5.2 module
WLAN	Optional 802.11abgn+acR2+axR2 Wi-Fi 6E module

#### Data Collection

NFC	Built-in NFC module
Camera	Built-in 5.0M AF camera

#### Power Requirement

Power Mode	AT/ATX (ATX is default setting)
DC Input	+19V (+12V~+24V DC in support)
DC Input Connector Adapter	Lockable DC Jack Medical grade Input: 100~240 Vac/ 50~60Hz Output: 90W 19V/ 4.73A adapter

#### Software Support

OS	Win10 / Win11/ Linux
----	----------------------

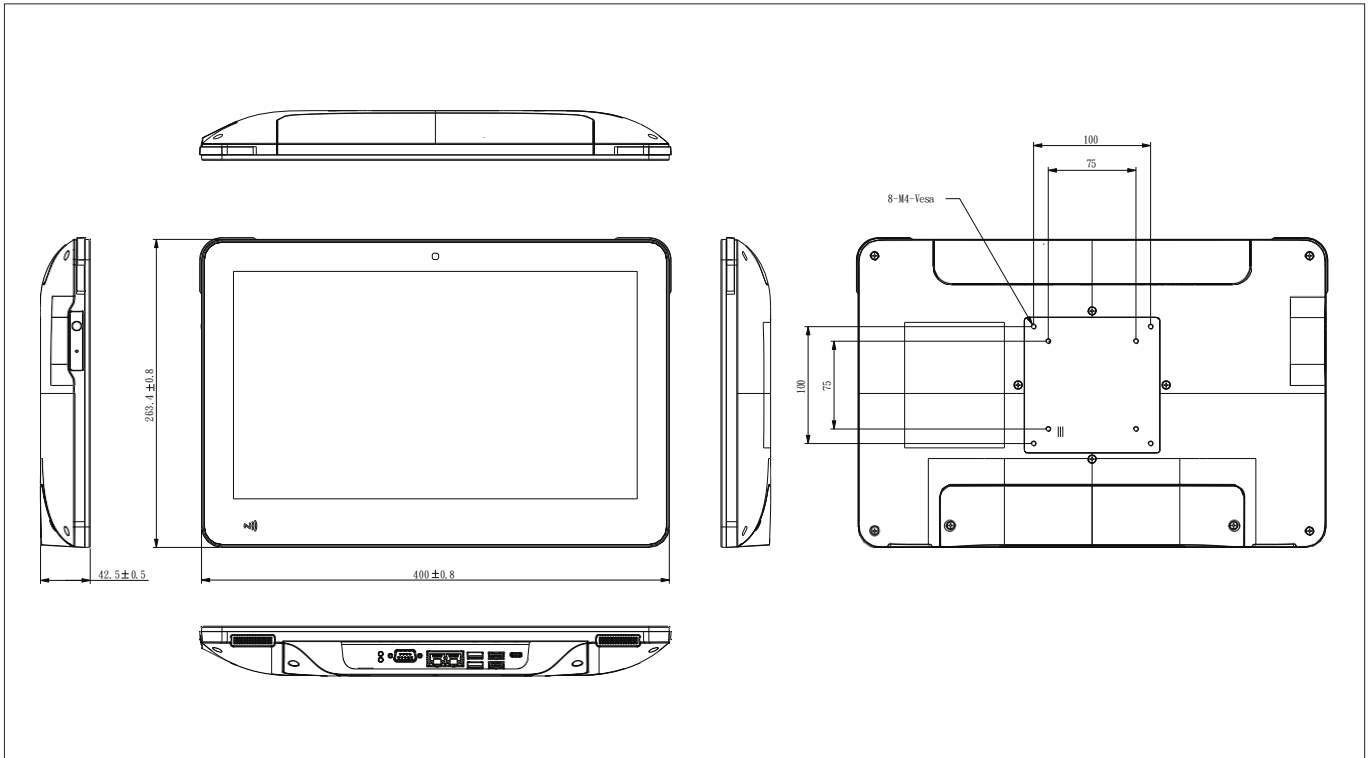
#### Certification

Certification Information	CE: IEC/ EN60601-1 (Safety), IEC/EN 60601-1-2 (EMC) FCC: Part 15 class B UL60601-1
---------------------------	--

#### Mechanical & Environmental

Dimension (W x L x H)	400 x 263 x 42.5 mm
Weight	2.8 kg
Construction - Front	White plastic
Construction - Rear	White plastic
Finishing	Anti-microbial
Mounting	VESA 75 x 75/ 100 x 100 mm
Operating Temp.	0°C ~40°C (32°F ~104°F)
Operating Humidity	0% ~ 90% relative humidity, non-condensing
Storage Temp.	-30°C ~70°C (-22°F ~158°F)
System Fan	Fanless
Vibration Test	With SSD/mSATA : 1.5Gms, IEC 60068-2-64, random, 5 ~ 500Hz, 30min/axis
Shock Test	With CF/SSD : 10Gms, IEC 60068-2-27, half sine, 11ms
IP Rating	Front IP65

## Mechanical Drawing



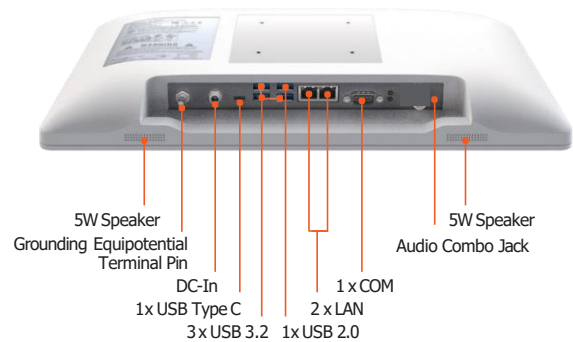
## Ordering Information

P/N	Touch Type	Processor	Memory	Storage	Panel Size	Resolution	Brightness	I/O Ports (COM/USB/LAN)	Display Output	Power Input	Working Temp.
HID-1540-121-A1R	PCAP	i3-1215UL	8GB	N/A	15.6"	1920 x 1080	300 cd/m <sup>2</sup>	1COM/ 4 USB/ 2 LAN	USB Type C	+19V	0°C ~40°C (32°F ~104°F)
HID-1540-123-A1R	PCAP	i5-1235UL	8GB	N/A	15.6"	1920 x 1080	300 cd/m <sup>2</sup>	1COM/ 4 USB/ 2 LAN	USB Type C	+19V	0°C ~40°C (32°F ~104°F)
HID-1540-125-A1R	PCAP	i7-1255UL	8GB	N/A	15.6"	1920 x 1080	300 cd/m <sup>2</sup>	1COM/ 4 USB/ 2 LAN	USB Type C	+19V	0°C ~40°C (32°F ~104°F)

## Packing List

Item	Quantity
HID-1540 Medical Panel PC	1
90W Medical Power Adapter	1

## I/O Overview



## Optional Items

Items	P/N
WiFi/BT Module Kit for HID-1540	E971XHI1540003R
HID White Stand VESA 100 x 100/ 75 x 75	ACC-ARM-D41R
EU Power Cord	E170203183DR
US Power Cord	E1702031835R
JP Power Cord	E170203183BR
UK Power Cord	E170P060370R
AU Power Cord	E170P060392R