



Features

- Front full flat IP65 cover & anti-microbial chassis for easy disinfection
- Built-in NFC for quick nursing staff identification
- Rich USB ports (USB type C incl.) for flexible peripheral device connection
- TPM 2.0 support for access control of critical patient data
- Intel 11th Core i7/i5/i3 Celeron CPU supported
- LED reading light facilitates ward-round service during night shift
- EPB-1001 add-on power module option for mobile applications
- CE/FCC/Medical UL certified



Data & Access Security



User Friendly Design



USB Type C Full Feature



Infection Control



Medical Grade

Specifications

System Information

Processor	11th Generation Intel® Core™ i7/i5/i3/Celeron Processor
System Memory	Two 260-pin DDR4 3200 MHz SO-DIMM socket, supports up to 64GB max
I/O Chipset	IT8528E
TPM	Onboard NuvoTon NPCT754AABYX support TPM 2.0

Expansion

Expansion	1 x Low profile PCIe 1 x M.2 Key B for 4G/5G
-----------	---

Storage

M.2	1 x M.2 Key B storage (256 GB)
-----	--------------------------------

Display

LCD Size	21.5"
Display Type	Full HD
Resolution	1920 x 1080
Contrast Ratio	1000:1
Luminance	250 cd/m ²
Pixel Pitch	0.24795 (H) x 0.24795 (V)
Viewing Angle	89(U), 89(D), 89(L), 89(R)
Response Time	22 ms
Backlight	LED
Touch Type	Projective capacitive multi-touch up to 10 points
Touch Light Transmission	86%
Touch Controller	USB touch (EETI EXC3188)

I/O Ports

USB Port	2 x USB 2.0, 2 x USB type C (Output: USB 3.1, display, 5V/3A 15W; 15V power input)
LAN Port	2 x RJ-45
COM Port	Optional

Audio

Audio Codec	Realtek ALC888S
Speaker Output	2 x 2W

Ethernet

LAN Chipset	1 x Intel® I219LM 1 x Intel® I225LM or I226LM
Ethernet Interface	10/100/1000/2500 Base-Tx GbE compatible

Wireless Communication

Bluetooth	Optional BT dongle
WLAN	Optional Wi-Fi dongle

Data Collection

NFC	Built-in NFC module
Camera	Optional 5.0M AF camera

Power Requirement

Power Mode	AT/ATX (ATX is default setting)
DC Input	+19V (+12V ~ +24V DC in support)
DC Input Connector	Lockable DC Jack
Adapter	Medical grade Input: 100-240 Vac/50-60Hz; Output: 90W 19V/4.74A adapter

Software Support

OS	Win10 / Win11 / Linux
----	-----------------------

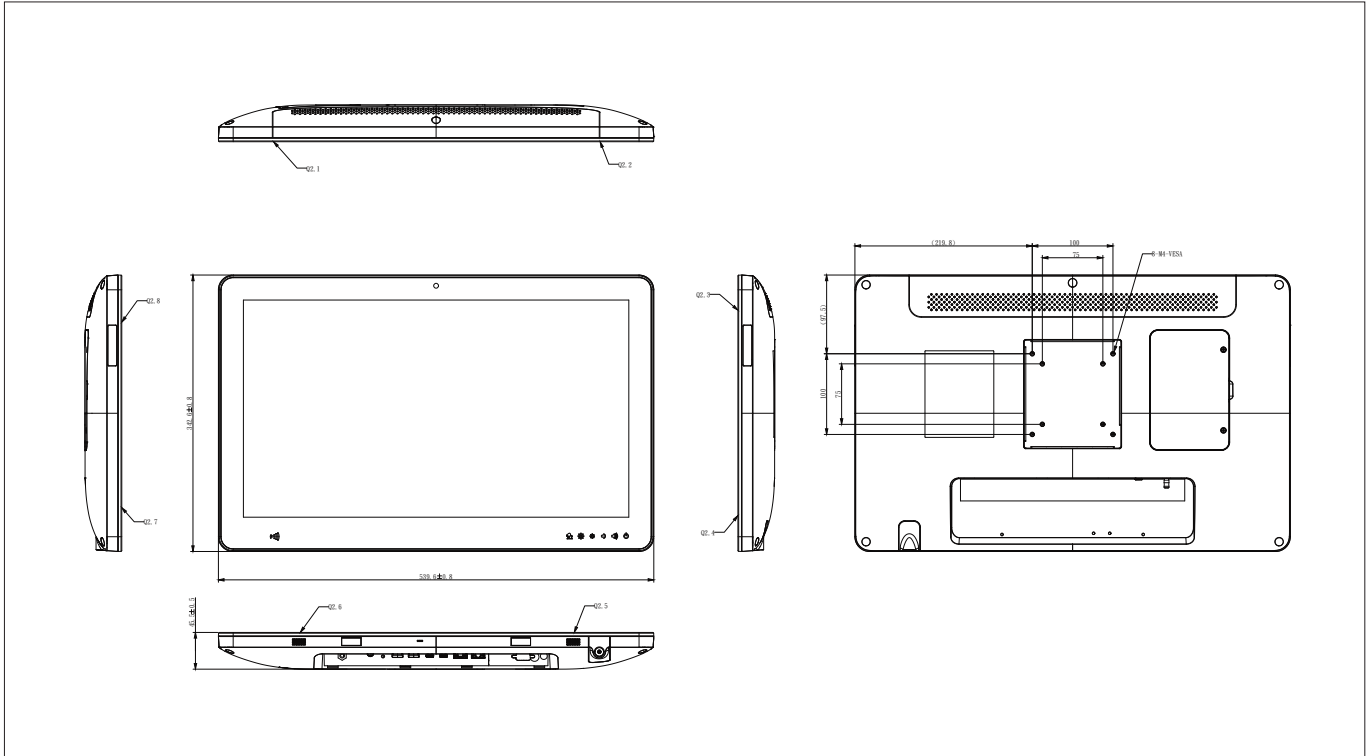
Certification

Certification Information	CE : IEC/EN60601-1 (Safety), IEC/EN60601-1-2 (EMC) FCC : Part 15 class B, UL60601-1
---------------------------	--

Mechanical & Environmental

Dimension (W x L x H)	539.6 x 342.6 x 45.2 mm
Weight	4.5 kg
Construction - Front	White plastic
Construction - Rear	White plastic
Finishing	Anti-microbial
Mounting	VESA 75 x 75 / 100 x 100 mm
Operating Temp.	0°C ~ 40°C (32°F ~ 104°F)
Operating Humidity	0% ~ 90% relative humidity, non-condensing
Storage Temp.	-30°C ~ 70°C (-22°F ~ 158°F)
System Fan	Fanless
Vibration Test	With SSD/mSATA : 1.5Grms, IEC 60068-2-64, random, 5 ~ 500Hz, 30min/axis
Shock Test	With CF/SSD : 10Grms, IEC 60068-2-27, half sine, 11ms
IP Rating	Front IP65

Mechanical Drawing



Ordering Information

P/N	Touch Type	Processor	Memory	Storage	Panel Size	Resolution	Luminance	I/O Ports (COM/USB/LAN)	Display Output	Power Input	Working Temp.
HID-2138-111-A1R	PCAP	i3-1145G4E	8GB	256GB M.2 SSD	21.5"	1920 x 1080	250 cd/m ²	2 USB/2 USB Type C/ 2 LAN	USB Type C	+19V	0°C ~ 40°C (32°F ~ 104°F)
HID-2138-114-A1R	PCAP	i5-1145G7E	8GB	256GB M.2 SSD	21.5"	1920 x 1080	250 cd/m ²	2 USB/2 USB Type C/ 2 LAN	USB Type C	+19V	0°C ~ 40°C (32°F ~ 104°F)
HID-2138-118-A1R	PCAP	i7-1185G7E	8GB	256GB M.2 SSD	21.5"	1920 x 1080	250 cd/m ²	2 USB/2 USB Type C/ 2 LAN	USB Type C	+19V	0°C ~ 40°C (32°F ~ 104°F)

Packing List

Item	Quantity
HID-2138 Medical Panel PC	1
90W Medical Power Adapter	1

Optional Items

Items	P/N
WiFi/BT Dongle for HID-2138	RCC-HID-WIFI-01R
Barcode Scanner Kit for HID Series	RCC-HID-BCSCAN-01R
Handset With 2D Barcode Scanner	ACC-HID-Handset
Camera for HID-2138	ACC-NBCAM-08R
PCIe USB 3.0 Extension Card (2 Ports)	RCC-HID-PCIE-01R
PCIe 2 CH 1080P60 HDMI Capture Card	RCC-HID-PCIE-02R
HID White Stand VESA 100 x 100/ 75 x 75	ACC-ARM-D55R
EU Power Cord	E170203183DR
US Power Cord	E1702031835R
JP Power Cord	E170203183BR
UK Power Cord	E170P060370R
AU Power Cord	E1702031800R

I/O Overview

