



Features

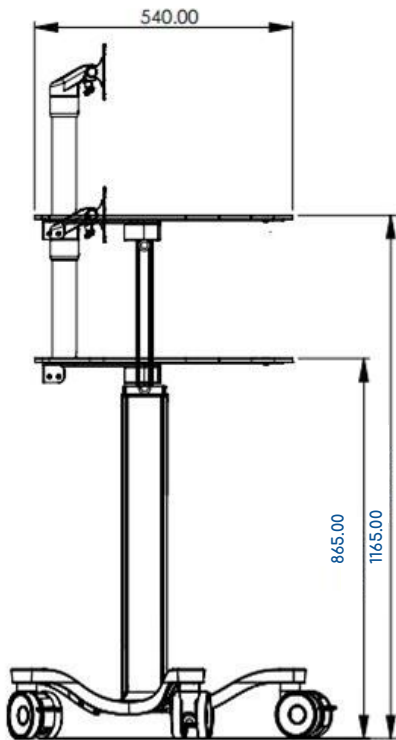
- Easy cleaning
- Lightweight & maneuverable
- Ergonomically designed
- Height adjustable or fixed
- Small footprint for space saving
- Integrated cable management
- Mounting accessories available
- Versatile across multiple applications or uses.

Description

Our MITCart (Mobile IT Cart) is our non-powered lightweight cart, designed with versatile materials providing a long lasting workstation. The MITCart has an ergonomic design incorporating minimum footprint with integrated cable management for a clutter free workspace. Available with a wide range of supporting accessories and options to color code segments of the cart. Finding the right solution has been made easier with our modular design allowing freedom to customise the MITCart for specific medical applications, maximising its reliability and functionality. Been a modular cart, medical practitioners and device manufacturer can effectively adapt the cart to their application needs, now and in the future.

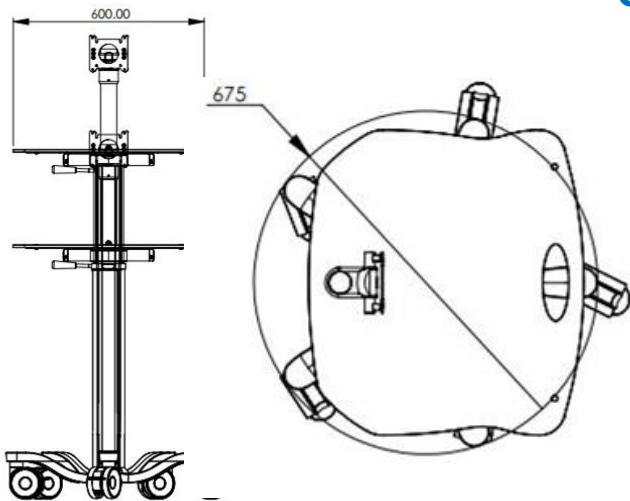
<p>Mount limit</p> <p>Max 12kg</p>	<p>Max Weight</p> <p>Max 18kg</p>	<p>Adjustable</p> <p>820mm-1120mm</p>	<p>Vesa</p> <p>100x100mm 75x75mm</p>	<p>Castors</p> <p>All Brakes</p>	<p>Power</p> <p>Optional</p>
---	--	--	---	---	-------------------------------------

Specifications



	Height Adjustable	Fixed Height
Height	865mm to 1165mm (300mm range)	995mm (Standard) or Various height options
Max Carrying Load	18 kg (subject to height)	
Base size	675mm diameter - 5 wheel base, or 561 mm x 557 mm - 4 wheel base	
Accessories Available	Handle, Basket, Medi-Rail, Cable Hook, Drip Pole, PSU Adapter Holder, Keyboard Tray	
Castors	5 castors, 100 mm, all braked 4 castors, 100 mm, all braked	
Compliance	CE, UKCA	
Power	Optional add-on power module EPB-1001	

Options



Ordering Information

RCC-MITCART-01R	Fixed Height MITCart, Height 995mm (Standard) or various height options
RCC-MITCART-02R	Height Adjustable MITCart, Height 865mm to 1165mm (300mm range)