

APC-2146

21.5" Ultra-Light Panel PC With Core Ultra 5 Processor & Anti-microbial Coating For Clinical Environments



Features

- Intel® 14th Gen Meteor Lake Core™ Ultra 5 125U processor
- 21.5" Full HD PCAP touch panel PC
- Sleek light weight design, thickness 49.5mm only
- Rich I/O for data transmission & accessory integration: 2 xLAN, 4 x USB 3.2, 1 x USB C, 1 x HDMI
- Optional camera, NFC, WiFi for streamline clinical workflow
- CE/FCC/VCCI/UKCA



+12V ~+24V



PCAP multi-touch



Fanless



0°C ~40°C



Front IP65

Specifications

System Information

Processor	14th Gen Meteor Lake Core™ Ultra 5 processor 125U
System Memory	1 x 262-pin DDR5 5600 MHz SO-DIMM Supports Up to 32GB
TPM	2.0

Expansion

Expansion	1x M.2 Key E 2230 support WiFi module
-----------	---------------------------------------

Storage

Solid State Drive	1x 2.5" SATAIIISSD
-------------------	--------------------

Display

LCD Size	21.5"
Display Type	Full HD
Resolution	1920x 1080
Pixel Pitch	274.5mm x 274.5mm
Luminance	250cd/m2
Contrast Ratio	3000:1
Viewing Angle	89 (U), 89 (D), 89 (L), 89 (R)
Response Time	18 ms
Backlight	LED
Touch Light Transmission	89 %
Touch Type	Projective capacitive multi-touch up to 10 points

I/O Ports

USB Port	2 x USB 3.2 Gen2 , 2 x USB 3.2 Gen1 1 x USB C
LAN Port	2 x RJ-45
Video	1 x HDMI
Power	1 x Power Switch
Audio	1 x Mic-in, 1 x Line-out

Audio

Audio Codec	RealTek ALC888S-VD2-G
Speaker Output	2x2W

Ethernet

LAN Chipset	1 x Intel® I226V; 1 x Intel® I226LM
Ethernet Interface	10/100/1000/2500 Base-Tx GbE compatible

Wireless Communication

WLAN	Optional Wi-Fi +Bluetooth 5.3 USB Module, Intel Wi-Fi 6E AX210
Bluetooth	Optional Wi-Fi +Bluetooth 5.3 USB Module, Intel Wi-Fi 6E AX210

Data Collection

Camera	Optional 5.0M Auto Focus CMOS Camera
--------	--------------------------------------

Power Requirement

Power Mode	ATX/ AT
DC Input	+12V ~+24V
DC Input Connector	Lockable DC Jack
Adapter	Input: 100 ~240Vdc/ 50 ~60Hz Output: 90W 24V/3.75A adapter

Software Support

OS	Win1 0/Win 11/ Linux
----	----------------------

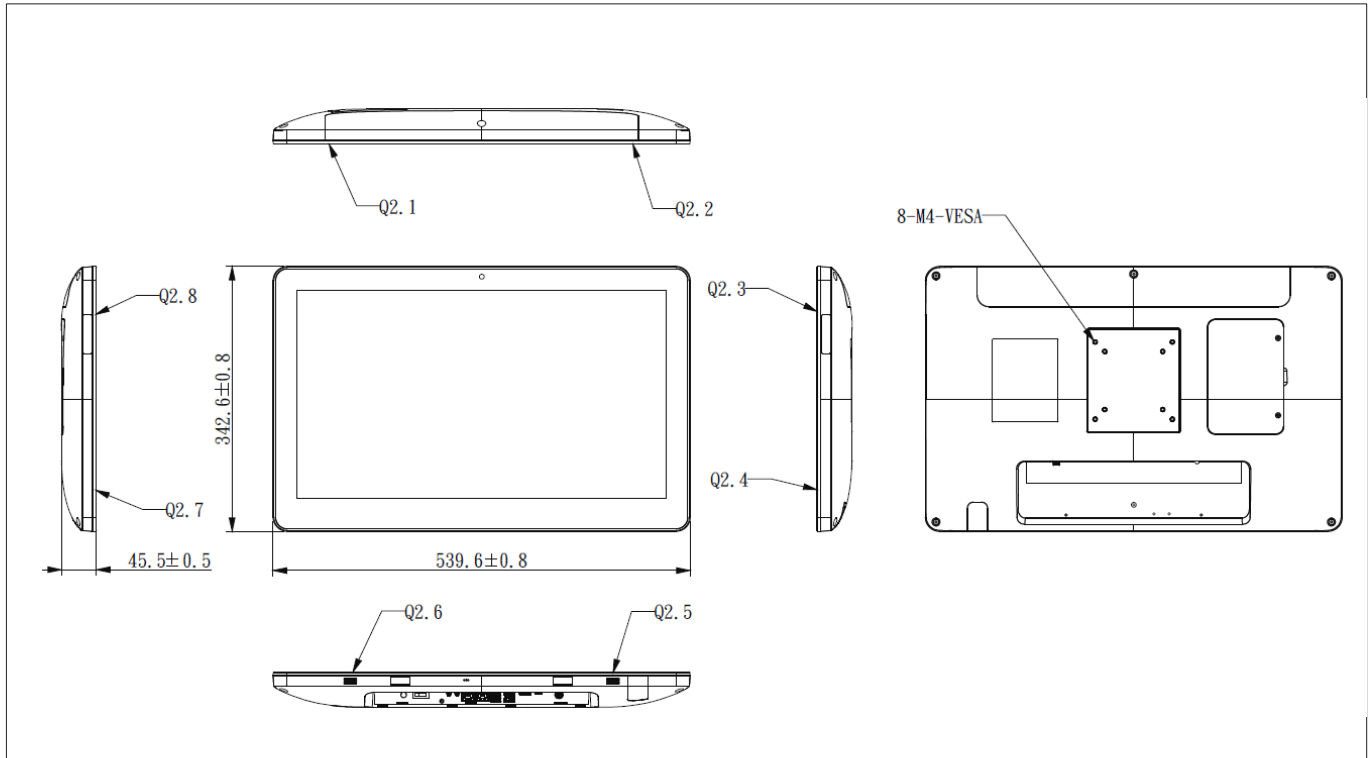
Certification

Certification Information	CE/ FCC Class A/ VCCI/ UKCA
---------------------------	-----------------------------

Mechanical & Environmental

Dimension (W x L x H)	539.6 x 342.6 x 45.5 mm
Weight	6.2 kg
Mounting	VESA 75 x 75/ 100 x 100 mm
Construction	Plastic
Color	White
Finishing	Anti-microbial
Operating Temp.	0°C ~40°C (32°F ~104°F)
Operating Humidity	40°C @ 95% Relative Humidity, Non-condensing
Storage Temp.	-10°C ~ 60°C (14°F ~ 140°F)
System Fan	Fanless
Vibration Test	1.5Grms, IEC 60068-2-64, random, 5 ~500Hz, 30min/axis
Shock Test	10Grms, IEC 60068-2-27, half sine, 11ms
IP Rating	Front IP65

Mechanical Drawing



Ordering Information

P/N	TouchType	Processor	Memory	Storage	Panel Size	Resolution	Luminance	I/O Ports (COM/USB/LAN)	Display Output	Power Input	Working Temp.
APC-2146-125-A2R	PCAP	Ultra 5 125U	8 GB	N/A	21.5"	1920x1080	250	0/5/2	USB C, HDMI	+12V ~+24V	0°C ~40°C

Packing List

Item	Quantity
APC-2146 Panel PC	1
90W PowerAdapter	1

Optional Items

Item	P/N
WiFi/ BT, Intel® Wi-Fi 6E AX210	TBD
5.0M Auto Focus CMOS Camera	TBD
EU PowerCord	E1702031000R
US PowerCord	E1702031833R
JP PowerCord	E1702031834R
UK PowerCord	E170P060380R

I/O Overview

